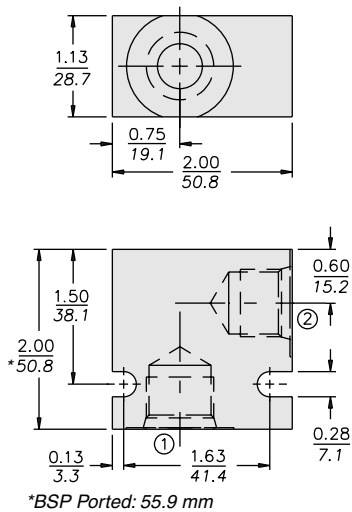


HOUSINGS AND ACCESSORY PRODUCTS

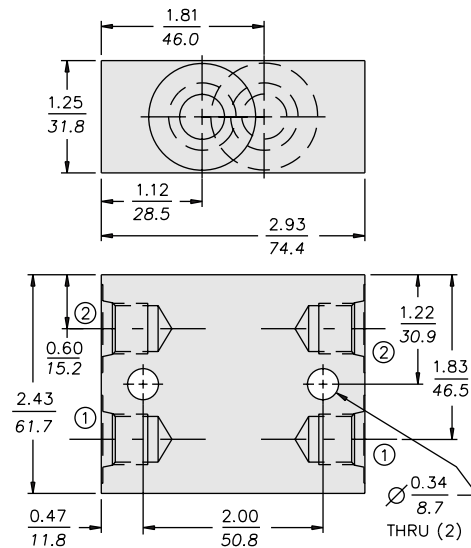
Series 08 Valve Housings

2-WAY



SAE 8 Ported Housing Illustrated

2 WAY CROSS-OVER



7070160 CRV Housing

INCH
MILLIMETRE

| SERIES 08 2-WAY HOUSINGS | | | | | |
|--------------------------|----------|----------|----------|----------|-----------|
| Code | Part No. | Material | Port 1 | Port 2 | Mfg. Loc. |
| 4T | 7024640 | Alum. | SAE 4 | SAE 4 | U.S. |
| 5T | 7024650 | Alum. | SAE 5 | SAE 5 | U.S. |
| 6T | 7024660 | Alum. | SAE 6 | SAE 6 | U.S. |
| 8T | 7024680 | Alum. | SAE 8 | SAE 8 | U.S. |
| 2B | 7028620 | Alum. | 1/4" BSP | 1/4" BSP | U.K. |
| 3B | 7028630 | Alum. | 3/8" BSP | 3/8" BSP | U.K. |
| 6TD | 7151010 | Ductile | SAE 6 | SAE 6 | U.S. |
| 8TD | 7151020 | Ductile | SAE 8 | SAE 8 | U.S. |
| 2BD | 7151040 | Ductile | 1/4" BSP | 1/4" BSP | U.K. |
| 3BD | 7151050 | Ductile | 3/8" BSP | 3/8" BSP | U.K. |
| 6TS | 7026660 | Steel | SAE 6 | SAE 6 | U.S. |
| 8TS | 7026680 | Steel | SAE 8 | SAE 8 | U.S. |
| 2BS | 7026920 | Steel | 1/4" BSP | 1/4" BSP | U.K. |
| 3BS | 7026930 | Steel | 3/8" BSP | 3/8" BSP | U.K. |

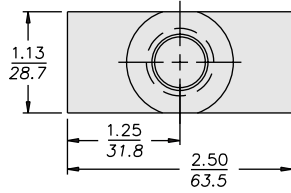
| SERIES 08 2-WAY CROSS-OVER HOUSINGS | | | | | |
|-------------------------------------|----------|----------|-----------|-----------|-----------|
| Code | Part No. | Material | Port 1 | Port 2 | Mfg. Loc. |
| 6T | 7070160 | Alum. | SAE 6 (2) | SAE 6 (2) | U.S. |

Note: Illustrations and dimensions shown on these pages are for Aluminum housings only. Ductile Iron and Steel housings are dimensionally different. Consult factory.

| HYDRAFORCE STANDARD VALVE HOUSINGS | | | |
|--------------------------------------|--------------------|-------|---------------|
| MATERIAL | OPERATING PRESSURE | PORTS | MFG. LOCATION |
| Aluminum, 6061 T6511, Clear Anodized | 240 bar (3500 psi) | SAE | U.S. |
| Aluminum, 6082 TF, Gold Tint | 240 bar (3500 psi) | BSP | U.K. |
| Ductile Iron, | 350 bar (5000 psi) | SAE | U.S. |
| Ductile Iron, | 350 bar (5000 psi) | BSP | U.K. |
| Steel, Low carbon | 350 bar (5000 psi) | SAE | U.S. |
| Steel, 220 M 07, Zinc Plated | 350 bar (5000 psi) | BSP | U.K. |

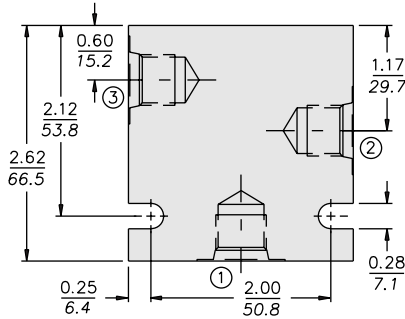
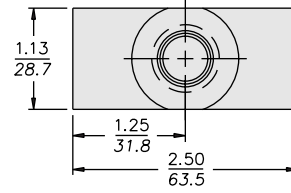
Series 08 Valve Housings

3-WAY

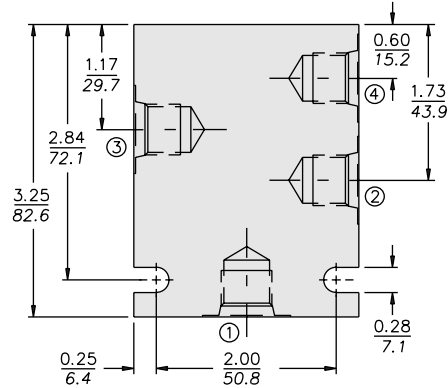


INCH
MILLIMETRE

4-WAY



SAE 6 Ported Housing Illustrated



SAE 6 Ported Housing Illustrated

| SERIES 08 3-WAY HOUSINGS | | | | | | |
|--------------------------|----------|----------|----------|----------|----------|-----------|
| Code | Part No. | Material | Port 1 | Port 2 | Port 3 | Mfg. Loc. |
| 4T | 7024740 | Alum. | SAE 4 | SAE 4 | SAE 4 | U.S. |
| 6T | 7024760 | Alum. | SAE 6 | SAE 6 | SAE 6 | U.S. |
| 3B | 7028730 | Alum. | 3/8" BSP | 3/8" BSP | 3/8" BSP | U.K. |
| 6TD | 7151110 | Ductile | SAE 6 | SAE 6 | SAE 6 | U.S. |
| 6TS | 7026760 | Steel | SAE 6 | SAE 6 | SAE 6 | U.S. |

| SERIES 08 4-WAY HOUSINGS | | | | | | | |
|--------------------------|----------|----------|----------|----------|----------|----------|-----------|
| Code | Part No. | Material | Port 1 | Port 2 | Port 3 | Port 4 | Mfg. Loc. |
| 6T | 7024860 | Alum. | SAE 6 | SAE 6 | SAE 6 | SAE 6 | U.S. |
| 2B | 7028820 | Alum. | 1/4" BSP | 1/4" BSP | 1/4" BSP | 1/4" BSP | U.K. |
| 3B | 7028830 | Alum. | 3/8" BSP | 3/8" BSP | 3/8" BSP | 3/8" BSP | U.K. |
| 6TD | 7151210 | Ductile | SAE 6 | SAE 6 | SAE 6 | SAE 6 | U.S. |
| 6TS | 7026860 | Steel | SAE 6 | SAE 6 | SAE 6 | SAE 6 | U.S. |

Note: Illustrations and dimensions shown on these pages are for Aluminum housings only. Ductile Iron and Steel housings are dimensionally different. Consult factory.